

**PK 42002 SH**

**POWER LINK PLUS  
DELIVERS EXTREME  
VERSATILITY AND  
ENABLES CRANE WORK  
EVEN UNDER DIFFICULT  
CONDITION**

**LIFETIME EXCELLENCE**



# LIFETIME EXCELLENCE

PALFINGER loader cranes are convincing due to their superior life-cycle performance. They are the most economical and also the most reliable over the entire product life. From solution finding to resale.

- **Better solutions**
- **Better efficiency**
- **Better ergonomics**
- **Higher availability**
- **More reliability**
- **Better ecology**
- **Higher serviceability**
- **Higher value retention**



# HEAVY-DUTY CRANE TECHNOLOGY OF THE HIGHEST STANDARD

- High value retention due to coating technology
- More comfort and safety due to Soft Stop
- Maximum utilisation of the working range due to HPSC
- More lifting power due to S-HPLS
- More efficient and faster due to continuous slewing





# PERFECT TOOL WITH SOPHISTICATED KINEMATICS

## 12 Highlights



### Continuous slewing system

Unrestricted movement

More efficient in operation due to faster loading cycles, since the crane can be slewed over a shorter distance. The crane works more efficiently and faster.



### Power Link Plus

High variety of uses

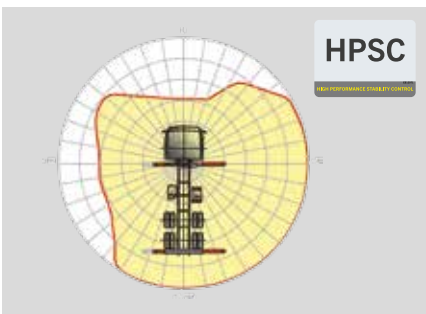
With the 15-degree reverse linkage system, you can reach through low door openings and also work inside buildings. Heavy crane work – even in difficult conditions.



### Low-maintenance extension system

Reduces service time

With sliding elements made of synthetic material and the high-quality KTL coating, this boom system significantly simplifies service performed by the operator. This saves time and money – and protects the environment.



### HPSC

Maximum utilisation of the working range

The variable stabiliser positioning of the High Performance Stability Control System makes it possible to utilise the lifting capacity to the maximum. It enables working within tight spaces.



### S-HPLS

More lifting power when it is really needed

S-HPLS is one of the most important functions of the PALTRONIC 150. It is a fully automatic system for increasing the lifting power. Depending on the need, there is continuous adaptation of the lifting power and speed of the crane.



### PALcom P7

Communication with the operator

The new PALcom P7 features a modern, ergonomic design. The centrally located knob „PALdrive“ and a large colour display enables easy and safe operation.



**Power Link cable winch**

More comfort in cable winch operation

Characterised by low installation height, it is ideal for working inside buildings and transports with the crane boom unfolded. The Comfort Cable Routing reduces set-up times to a minimum.



**Functional design**

Practical and attractive

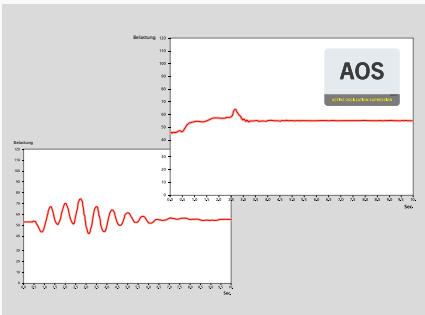
Robust plastic covers protect crane parts against dirt and damage. Better appearance and increased operational comfort – during the entire lifetime.



**Coating technology**

Top quality surface protection at a glance

The KTL coating lays the foundation for a perfect surface protection. Afterwards the components are either coated in the powder-coating facility or are finished with a two-components-topcoat. High value retention and excellent corrosion protection for the whole life of a crane.



**AOS**

Maximum precision and safety

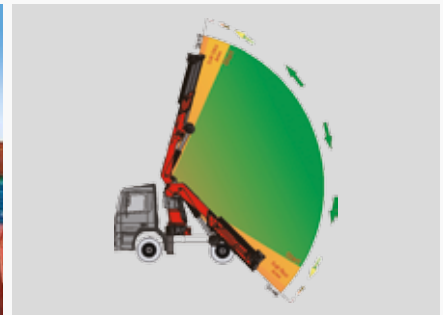
The active oscillation suppression system prevents „post-oscillation“ in the event of rapid braking or load changes. The stress peaks on the extension boom system are reduced and material fatigue and wear are minimised. This increases the resale value.



**DPS Plus**

More efficient fly-jib operation

The Dual Power System allows multiple uses of the crane both for large outreaches as well as for heavy load operation.



**Soft Stop function**

More comfort and safety

The Soft Stop function is an electronic limit position damper. It causes gentle braking of all crane movements before the limit position is reached. Hence, jerky movements and load impacts can be avoided. The crane can be operated more gently and precisely.



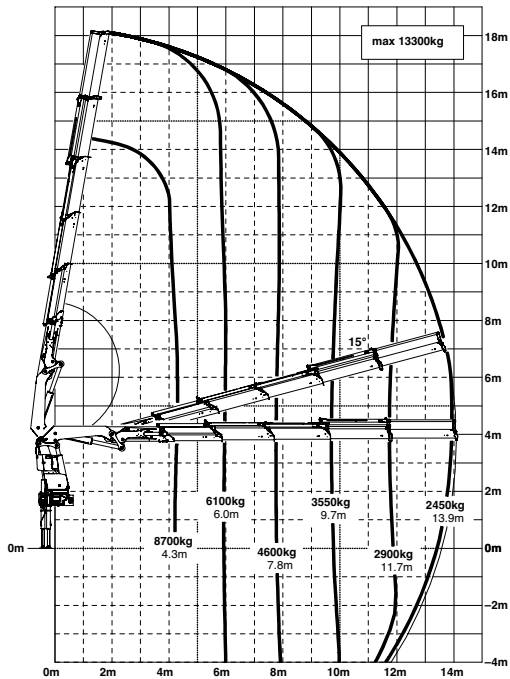
\*Optional features / country-specific equipment

PK 42002 SH

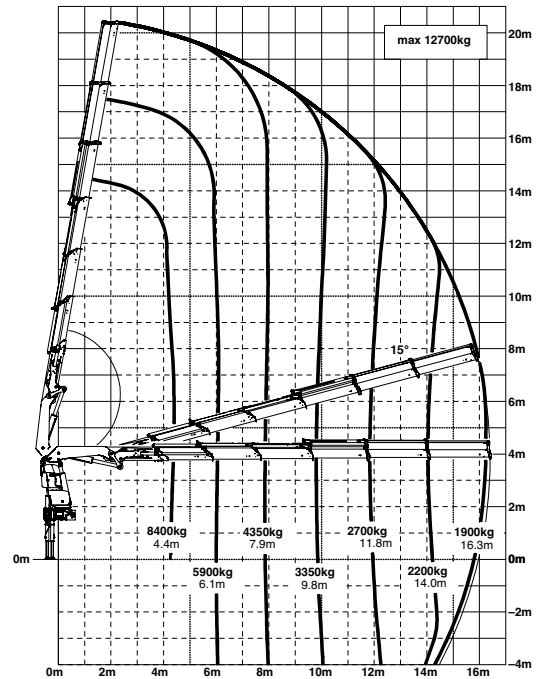
# HIGH PERFORMANCE

More lifting power when it is really needed.

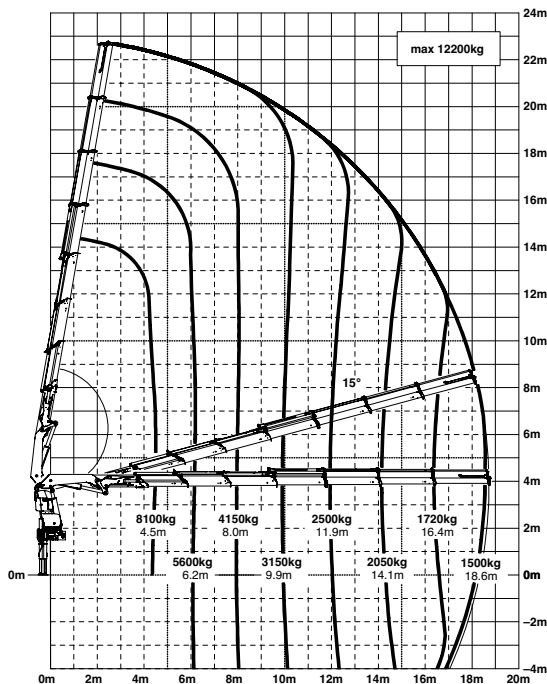
D



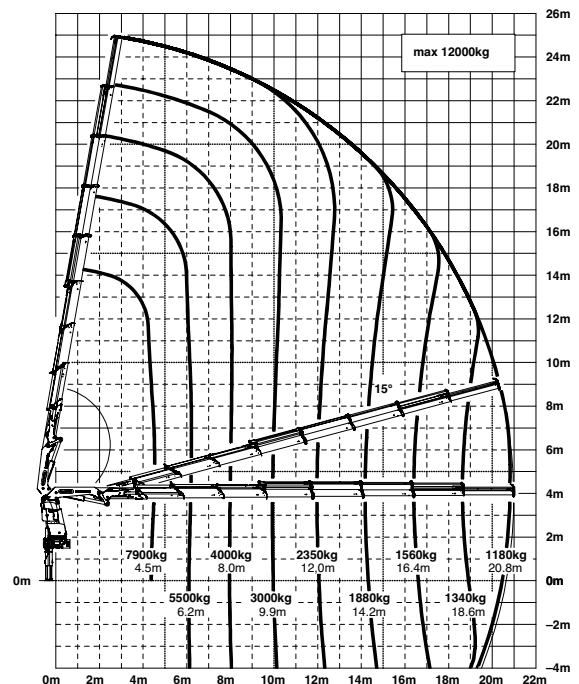
E



F



G



The outreaches stated are with a boom angle of 20° and are therefore not the maximum.



## Lifting capacities

max.		<b>14900 kg</b>	<b>32900 lbs</b>	<b>A</b>
4.1 m	13' 5"	9600 kg	21200 lbs	
5.8 m	19' 0"	6900 kg	15200 lbs	
7.6 m	24' 11"	5300 kg	11700 lbs	

max.		<b>14600 kg</b>	<b>32200 lbs</b>	<b>B</b>
4.2 m	13' 9"	9400 kg	20700 lbs	
5.8 m	19' 0"	6700 kg	14700 lbs	
7.6 m	24' 11"	5100 kg	11200 lbs	
9.6 m	31' 6"	4050 kg	8900 lbs	

max.		<b>14100 kg</b>	<b>31100 lbs</b>	<b>C</b>
4.2 m	13' 9"	9100 kg	20100 lbs	
5.8 m	19' 0"	6400 kg	14200 lbs	
7.6 m	24' 11"	4850 kg	10700 lbs	
9.6 m	31' 6"	3800 kg	8400 lbs	
11.6 m	38' 1"	3150 kg	6900 lbs	

max.		<b>13300 kg</b>	<b>29300 lbs</b>	<b>D</b>
4.3 m	14' 1"	8700 kg	19300 lbs	
6.0 m	19' 8"	6100 kg	13500 lbs	
7.8 m	25' 7"	4600 kg	10100 lbs	
9.7 m	31' 10"	3550 kg	7900 lbs	
11.7 m	38' 5"	2900 kg	6400 lbs	
13.9 m	45' 7"	2450 kg	5300 lbs	

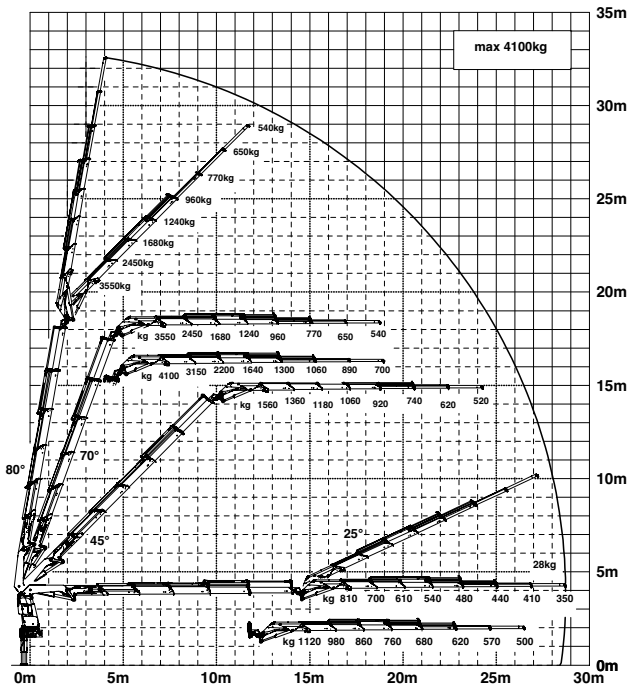
max.		<b>12700 kg</b>	<b>28000 lbs</b>	<b>E</b>
4.4 m	14' 5"	8400 kg	18500 lbs	
6.1 m	20' 0"	5900 kg	12900 lbs	
7.9 m	25' 11"	4350 kg	9600 lbs	
9.8 m	32' 2"	3350 kg	7400 lbs	
11.8 m	38' 9"	2700 kg	5900 lbs	
14.0 m	45' 11"	2200 kg	4900 lbs	
16.3 m	53' 6"	1900 kg	4200 lbs	

max.		<b>12200 kg</b>	<b>26900 lbs</b>	<b>F</b>
4.5 m	14' 9"	8100 kg	17900 lbs	
6.2 m	20' 4"	5600 kg	12400 lbs	
8.0 m	26' 3"	4150 kg	9100 lbs	
9.9 m	32' 6"	3150 kg	7000 lbs	
11.9 m	39' 1"	2500 kg	5500 lbs	
14.1 m	46' 3"	2050 kg	4500 lbs	
16.4 m	53' 10"	1720 kg	3800 lbs	
18.6 m	61' 0"	1500 kg	3300 lbs	

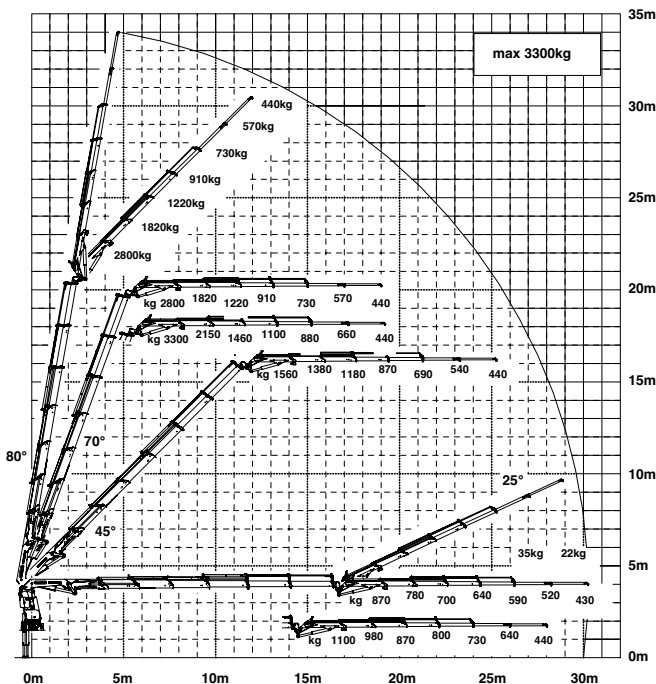
max.		<b>12000 kg</b>	<b>26500 lbs</b>	<b>G</b>
4.5 m	14' 9"	7900 kg	17500 lbs	
6.2 m	20' 4"	5500 kg	12100 lbs	
8.0 m	26' 3"	4000 kg	8800 lbs	
9.9 m	32' 6"	3000 kg	6600 lbs	
12.0 m	39' 4"	2350 kg	5200 lbs	
14.2 m	46' 7"	1880 kg	4150 lbs	
16.4 m	53' 10"	1560 kg	3450 lbs	
18.6 m	61' 0"	1340 kg	2950 lbs	
20.8 m	68' 3"	1180 kg	2600 lbs	
23.0 m*	75' 6"	900 kg	1980 lbs	
25.0 m*	82' 0"	600 kg	1320 lbs	

\*mechanical extension

### D PJ125E JV1 DPS PLUS

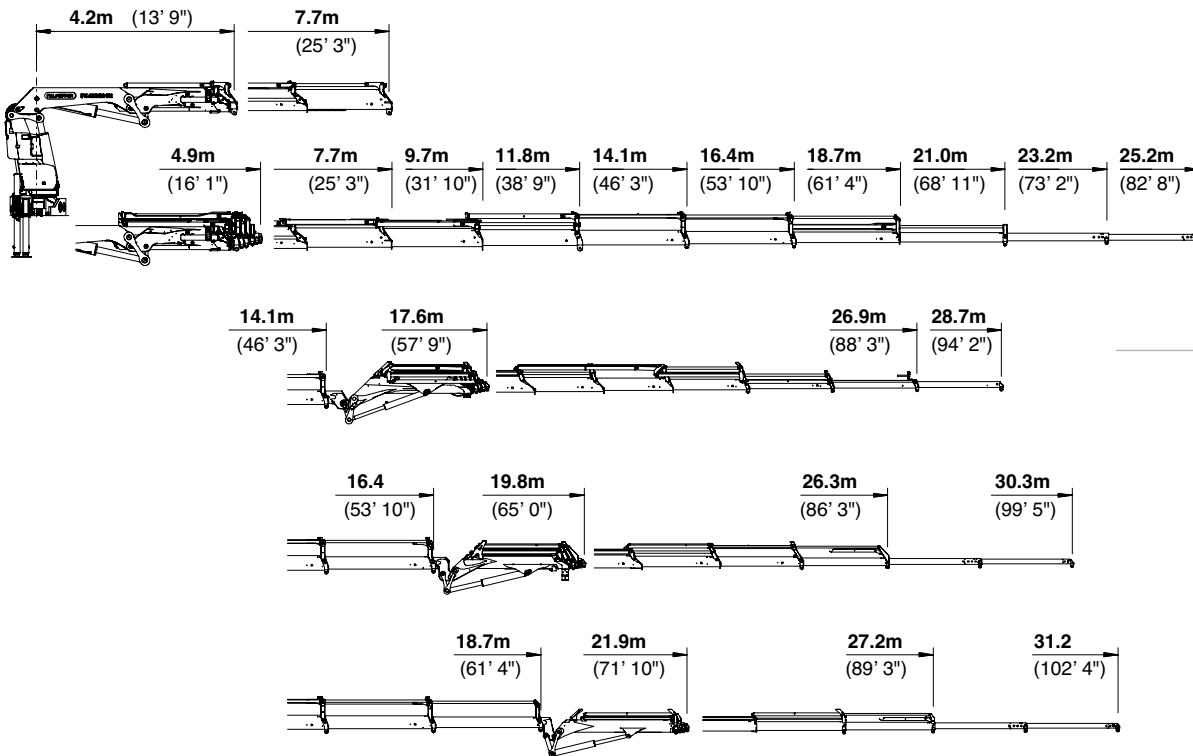


### E PJ080C JV2 DPS PLUS

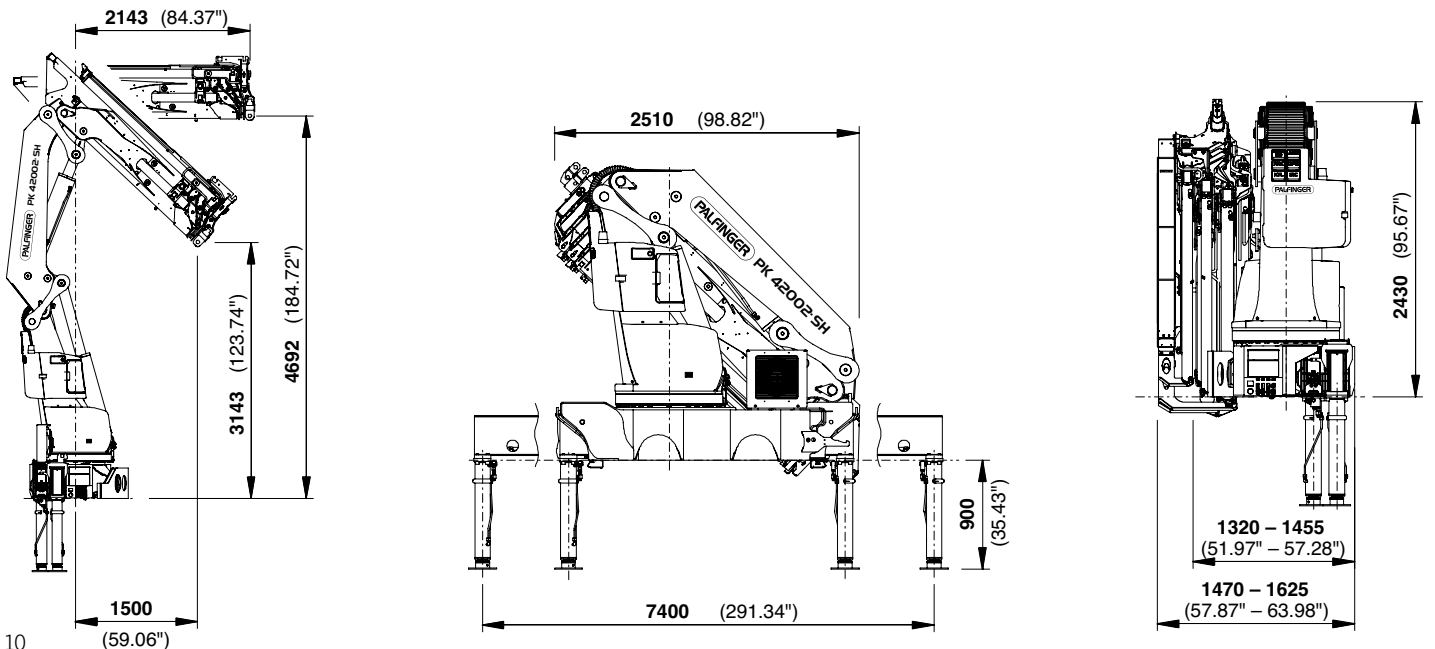


# PERFECT DIMENSIONS

## EXTENSION BOOM VARIATIONS



## DIMENSIONS



## Technical specifications

EN 12999 HC1 HD5/B3

### PK 42002 SH

Max. lifting moment	41.1 mt/402,8 kNm	297070 ft.lbs
Max. lifting capacity	15000 kg/147,2 kN	33070 lbs
Max. hydraulic outreach	21.0 m	68' 11"
Max. manual outreach	25.2 m	82' 8"
Max. outreach (with fly-jib)	31.2 m	102' 4"
Slewing angle	endless	

### D PJ125E JV1

Slewing torque with 1 gear	3.8 mt/37.3 kNm	27490 ft.lbs
Slewing torque with 2 gears	5.0 mt/49.1 kNm	36170 ft.lbs
Stabiliser spread	7.4 m	24' 3"
Fitting space required (std.)	min. 1.33 m/4' 4"	max. 1.47 m/4' 10"
Width folded	2.51 m	8' 3"

### E PJ080C JV2

Max. operating pressure	365 bar	5293 psi
Recommended pump capacity	from 90 l/min to 120 l/min	23.8 US gal./min 31.7 US gal./min
Dead weight (std.)	3851 kg	8490 lbs

### F PJ060B JV2



KP-HPK42002SM2+EN

Cranes shown in the leaflet are partially optional equipped and do not always correspond to the standard version. Country-specific regulations must be observed. Dimensions may vary. Subject to technical changes, errors and translation mistakes.