

PK 11002 | 12002 EH

THE COMPACT DESIGN AND POWER LINK PLUS ARE ATTRIBUTES FOR EFFICIENCY AND COST EFFECTIVENESS

LIFETIME EXCELLENCE



LIFETIME EXCELLENCE

PALFINGER loader cranes are convincing due to their superior life-cycle performance. They are the most economical and also the most reliable over the entire product life. From solution finding to resale.

- **Better solutions**
- **Better efficiency**
- **Better ergonomics**
- **Higher availability**
- **More reliability**
- **Better ecology**
- **Higher serviceability**
- **Higher value retention**



EFFICIENT AND COMFORTABLE WORKING

- Maximum precision and safety due to optional AOS
- High value retention due to coating technology
- Maximum reliability due to PAL 50
- High operator friendliness thanks to optional radio remote control
- Additional applications with Power Link Plus





FIRST-RATE IN DESIGN AND PERFORMANCE

12 Highlights



Power Link Plus

High variety of uses

With the 15-degree reverse linkage system, you can reach through low door openings and also work inside buildings. Heavy crane work – even in difficult conditions.



Low-maintenance extension system

Reduces service time

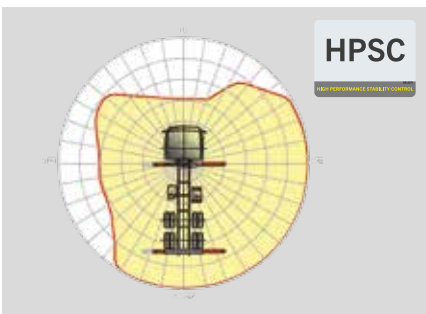
With sliding elements made of synthetic material and the high-quality KTL coating, this boom system significantly simplifies service performed by the operator. This saves time and money – and protects the environment.



High Speed Extension

For efficient assignments

The High Speed Extension speeds up the extension boom system. Crane works faster and more efficiently.



HPSC

Maximum utilisation of the working range

The variable stabiliser positioning of the High Performance Stability Control System makes it possible to utilise the lifting capacity to the maximum. It enables working within tight spaces.



PAL 50

Comfort and safety

The PALTRONIC 50, PALFINGER offers the latest control electronics for the series production crane. The custom designed electronic operates and monitors the crane and offers more efficiency in use and safety.



Control console

All information at a glance

All important information about the crane can be seen on the main control stand. A digital indicator counts and displays the operating hours. Ergonomic control levers and the optional lighting package provide increased safety and comfort even in poor visibility conditions.



Coating technology

Top quality surface protection at a glance

The KTL coating lays the foundation for a perfect surface protection. Afterwards the components are either coated in the powder-coating facility or are finished with a two-components-topcoat. High value retention and excellent corrosion protection for the whole life of a crane.



Functional design

Practical and attractive

Robust plastic covers protect crane parts against dirt and damage. Better appearance and increased operational comfort – during the entire lifetime.



Radio remote control

Dialogue with the operator

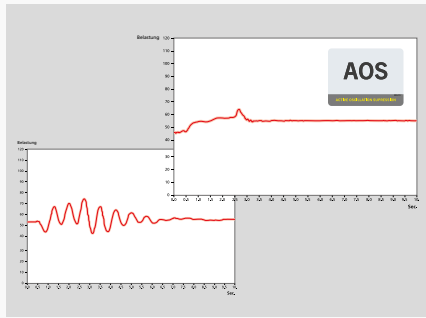
PALFINGER radio remote controls are equipped with linear lever or cross lever and provide the greatest possible comfort for the operator. All EH models with LED-Display inform the crane operator.



Hose equipment for attachments

Versatile and user-friendly

The hose equipment offers an easy means of connecting auxiliary equipment. The hose equipment is guided in hose trays for protection.



AOS

Maximum precision and safety

The active oscillation suppression system prevents „post-oscillation“ in the event of rapid braking or load changes. The stress peaks on the extension boom system are reduced and material fatigue and wear are minimised. This increases the resale value.



Lighting package*

More crane safety particularly at dusk and dark

LEDs which backlight the control panel make it easier to read off the crane functions and provide the crane operator with a quick overview of the entire panel during the working process. LED warning lights in the supporting cylinders mean greater safety for crane operator and passers-by.



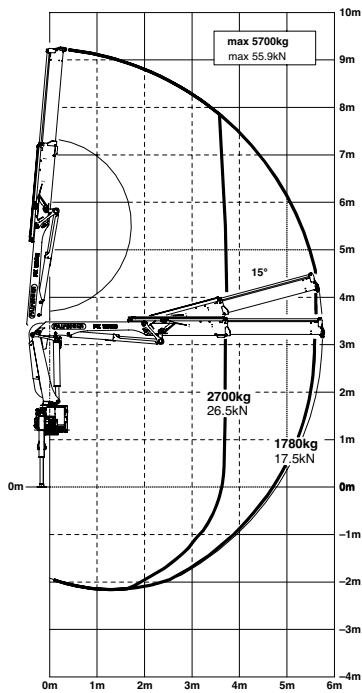
* Optional features / country-specific equipment

PK 11002

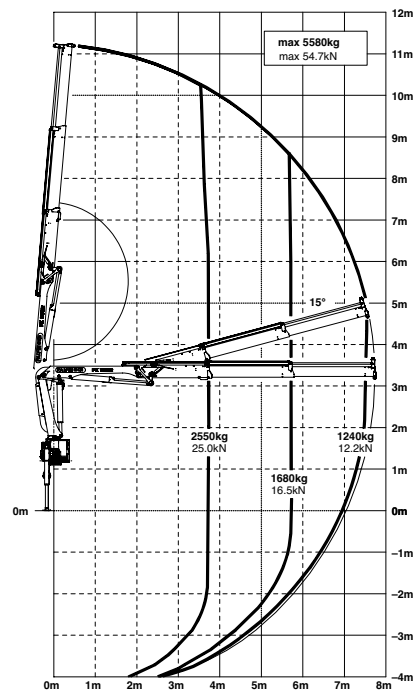
HIGH PERFORMANCE

Superior crane technology.

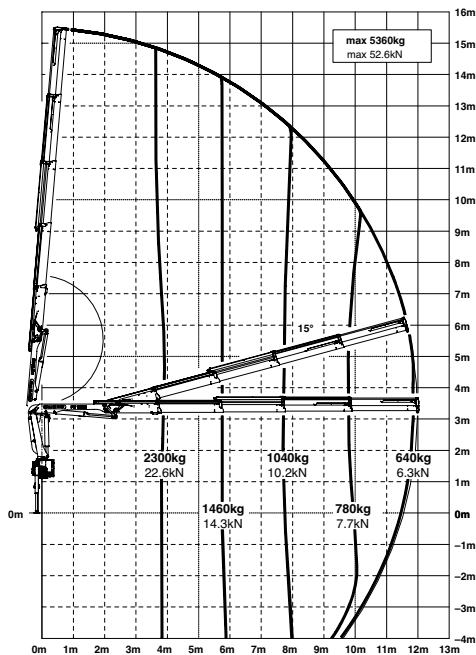
STD



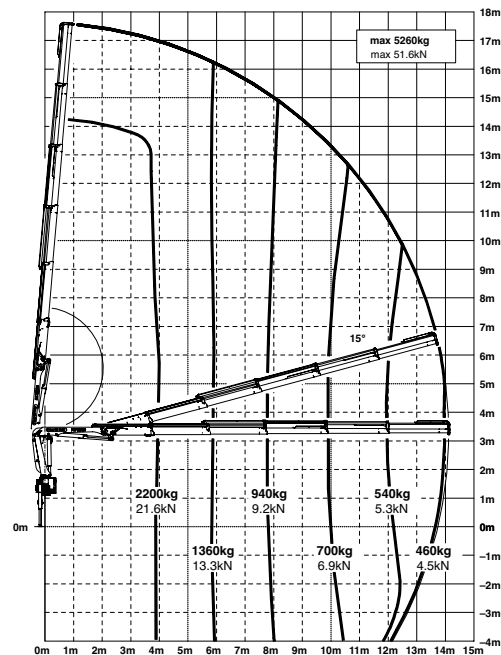
A



C

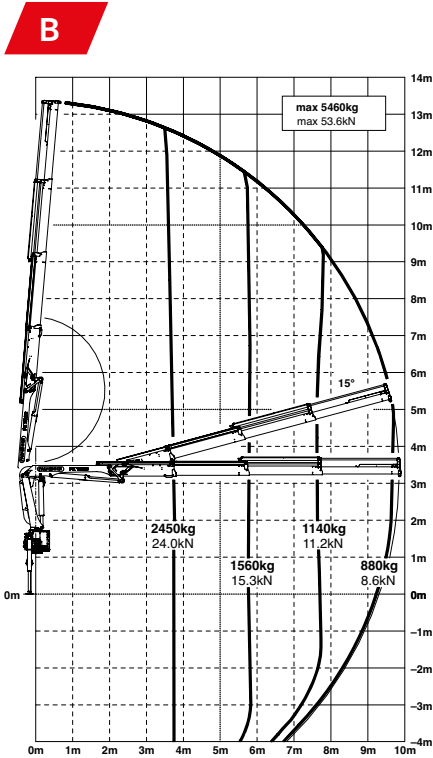


D



The outreaches stated are with a boom angle of 20° and are therefore not the maximum.

Lifting capacities



| max. | | 5700 kg | 55.9 kN | STD |
|-------|--------|----------------|----------------|------------|
| 3.7 m | 12' 2" | 2700 kg | 5950 lbs | |
| 5.6 m | 18' 4" | 1780 kg | 3920 lbs | |

| max. | | 5580 kg | 54.7 kN | A |
|-------|---------|----------------|----------------|----------|
| 3.8 m | 12' 6" | 2550 kg | 5620 lbs | |
| 5.7 m | 18' 8" | 1680 kg | 3700 lbs | |
| 7.6 m | 24' 11" | 1240 kg | 2730 lbs | |

| max. | | 5460 kg | 53.6 kN | B |
|---------|---------|----------------|----------------|----------|
| 3.9 m | 12' 10" | 2450 kg | 5400 lbs | |
| 5.8 m | 19' 0" | 1560 kg | 3440 lbs | |
| 7.7 m | 25' 3" | 1140 kg | 2510 lbs | |
| 9.7 m | 31' 10" | 880 kg | 1940 lbs | |
| 11.9 m* | 39' 1" | 670 kg | 1480 lbs | |
| 13.9 m* | 45' 7" | 550 kg | 1210 lbs | |

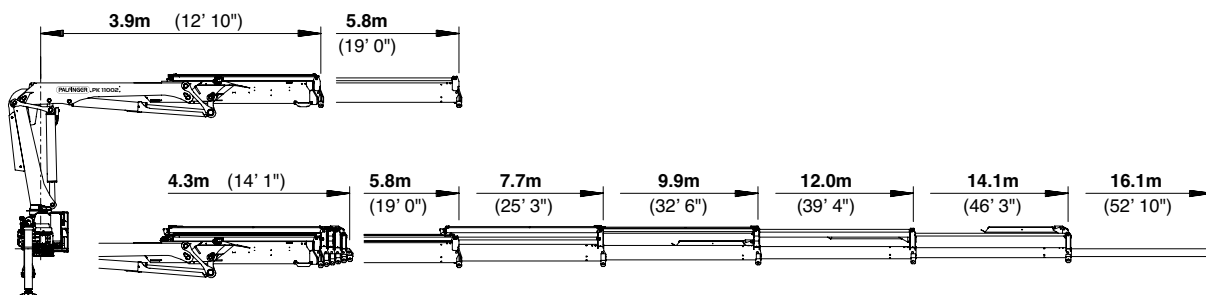
| max. | | 5360 kg | 52.6 kN | C |
|---------|---------|----------------|----------------|----------|
| 3.9 m | 12' 10" | 2300 kg | 5070 lbs | |
| 5.8 m | 19' 0" | 1460 kg | 3220 lbs | |
| 7.7 m | 25' 3" | 1040 kg | 2290 lbs | |
| 9.8 m | 32' 2" | 780 kg | 1720 lbs | |
| 11.8 m | 38' 9" | 640 kg | 1410 lbs | |
| 13.8 m* | 45' 3" | 510 kg | 1120 lbs | |
| 15.8 m* | 51' 10" | 380 kg | 840 lbs | |

| max. | | 5260 kg | 51.6 kN | D |
|---------|--------|----------------|----------------|----------|
| 4.0 m | 13' 1" | 2200 kg | 4850 lbs | |
| 5.9 m | 19' 4" | 1360 kg | 3000 lbs | |
| 7.8 m | 25' 7" | 940 kg | 2070 lbs | |
| 9.9 m | 32' 6" | 700 kg | 1540 lbs | |
| 11.9 m | 39' 1" | 540 kg | 1190 lbs | |
| 13.9 m | 45' 7" | 460 kg | 1010 lbs | |
| 16.0 m* | 52' 6" | 370 kg | 820 lbs | |

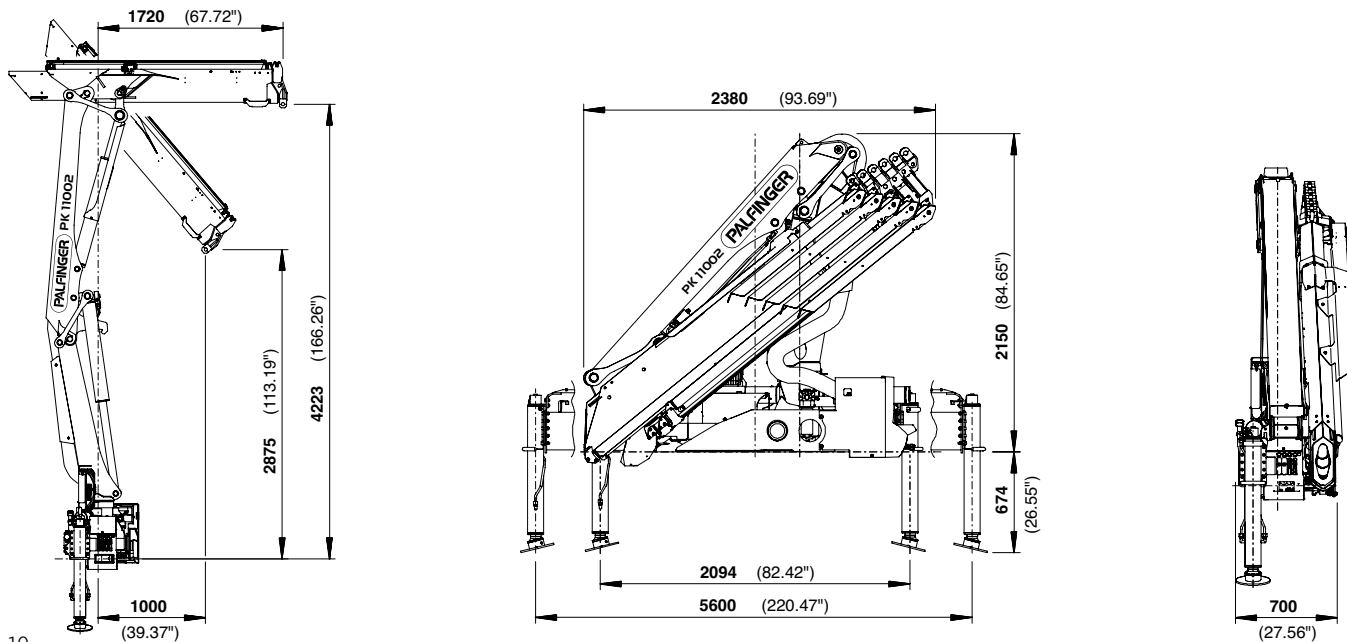
*mechanical extension

PERFECT DIMENSIONS

EXTENSION BOOM VARIATIONS



DIMENSIONS



Technical specifications

EN 12999 HC1 HD4/B3

PK 11002

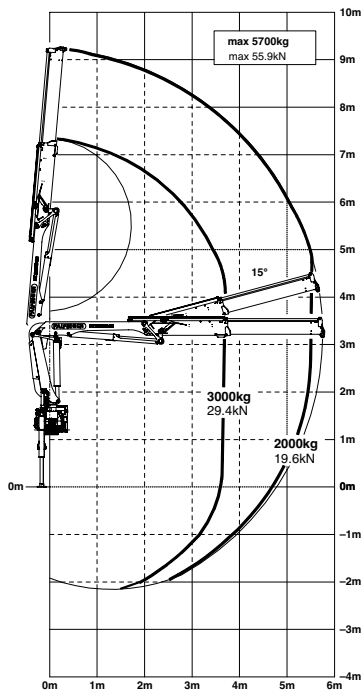
| | | |
|-------------------------------|------------------------------|-------------------------------------|
| Max. lifting moment | 10.0 mt/98.1 kNm | 72350 ft.lbs |
| Max. lifting capacity | 5700 kg/55.9 kN | 12570 lbs |
| Max. hydraulic outreach | 14.1 m | 46' 3" |
| Max. manual outreach | 16.1 m | 52' 10" |
| Slewing angle | 400° | |
| Slewing torque | 1.3 mt/12.7 kNm | 9400 ft.lbs |
| Stabiliser spread (std./max.) | 3.2 m / 5.6 m | 10' 6" / 18' 4" |
| Fitting space required (std.) | 0.70 m | 2' 4" |
| Width folded | 2.33 m | 7' 8" |
| Max. operating pressure | 320 bar | 4640 psi |
| Recommended pump capacity | from 30 l/min to 45 l/min | 7.9 US gal./min 11.9 US gal./min |
| Dead weight (std.) | 1133 kg | 2500 lbs |

PK 12002 EH

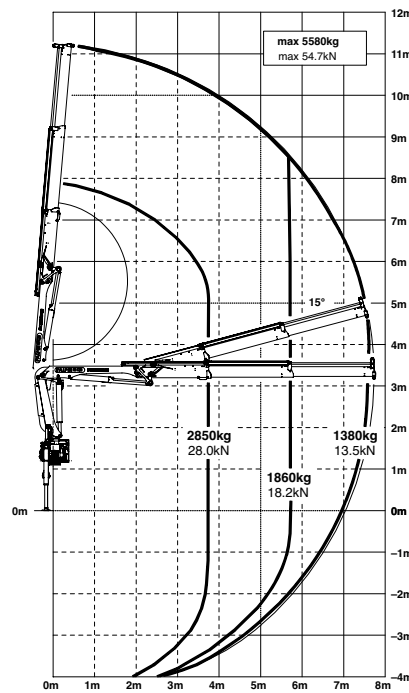
HIGH PERFORMANCE

Proven in continuous situations.

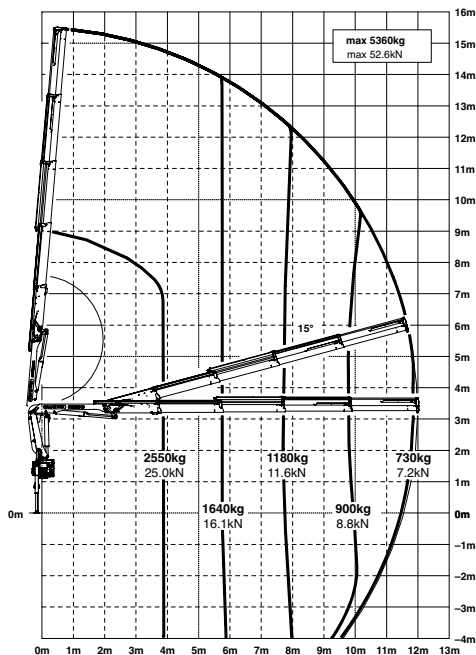
STD



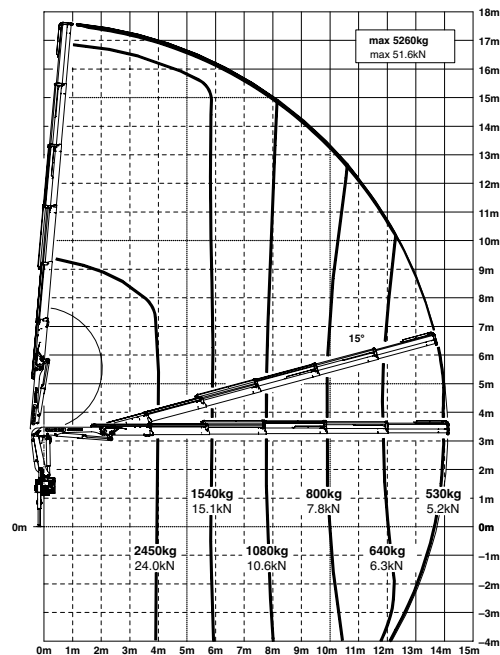
A



C



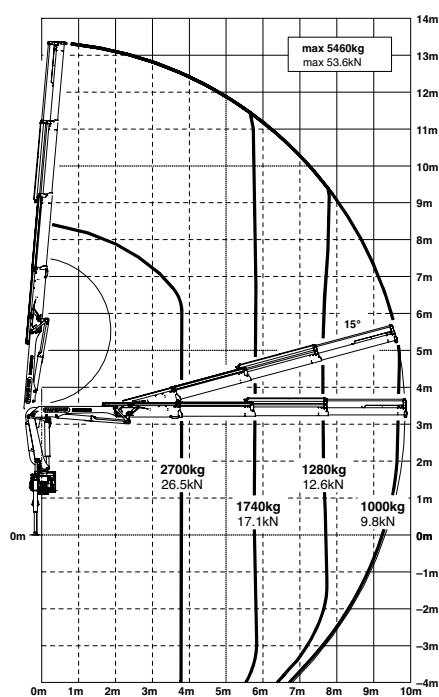
D



The outreaches stated are with a boom angle of 20° and are therefore not the maximum.

Lifting capacities

B



| max. | | 5700 kg | 55.9 kN | STD |
|-------|--------|----------------|----------------|------------|
| 3.7 m | 12' 2" | 3000 kg | 6610 lbs | |
| 5.6 m | 18' 4" | 2000 kg | 4410 lbs | |

| max. | | 5580 kg | 54.7 kN | A |
|-------|---------|----------------|----------------|----------|
| 3.8 m | 12' 6" | 2850 kg | 6280 lbs | |
| 5.7 m | 18' 8" | 1860 kg | 4100 lbs | |
| 7.6 m | 24' 11" | 1380 kg | 3040 lbs | |

| max. | | 5460 kg | 53.6 kN | B |
|---------|---------|----------------|----------------|----------|
| 3.9 m | 12' 10" | 2700 kg | 5950 lbs | |
| 5.8 m | 19' 0" | 1740 kg | 3840 lbs | |
| 7.7 m | 25' 3" | 1280 kg | 2820 lbs | |
| 9.7 m | 31' 10" | 1000 kg | 2200 lbs | |
| 11.9 m* | 39' 1" | 780 kg | 1720 lbs | |
| 13.9 m* | 45' 7" | 630 kg | 1390 lbs | |

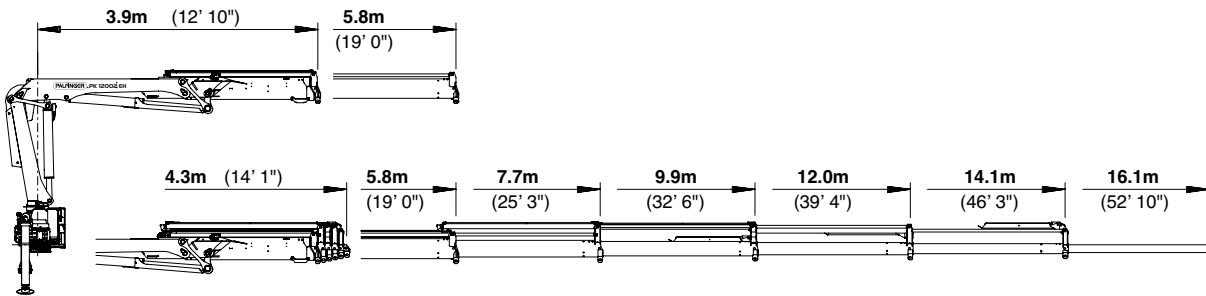
| max. | | 5360 kg | 52.6 kN | C |
|---------|---------|----------------|----------------|----------|
| 3.9 m | 12' 10" | 2550 kg | 5620 lbs | |
| 5.8 m | 19' 0" | 1640 kg | 3620 lbs | |
| 7.7 m | 25' 3" | 1180 kg | 2600 lbs | |
| 9.8 m | 32' 2" | 900 kg | 1980 lbs | |
| 11.8 m | 38' 9" | 730 kg | 1610 lbs | |
| 13.8 m* | 45' 3" | 600 kg | 1320 lbs | |
| 15.8 m* | 51' 10" | 380 kg | 840 lbs | |

| max. | | 5260 kg | 51.6 kN | D |
|---------|--------|----------------|----------------|----------|
| 4.0 m | 13' 1" | 2450 kg | 5400 lbs | |
| 5.9 m | 19' 4" | 1540 kg | 3400 lbs | |
| 7.8 m | 25' 7" | 1080 kg | 2380 lbs | |
| 9.9 m | 32' 6" | 800 kg | 1760 lbs | |
| 11.9 m | 39' 1" | 640 kg | 1410 lbs | |
| 13.9 m | 45' 7" | 530 kg | 1170 lbs | |
| 16.0 m* | 52' 6" | 380 kg | 840 lbs | |

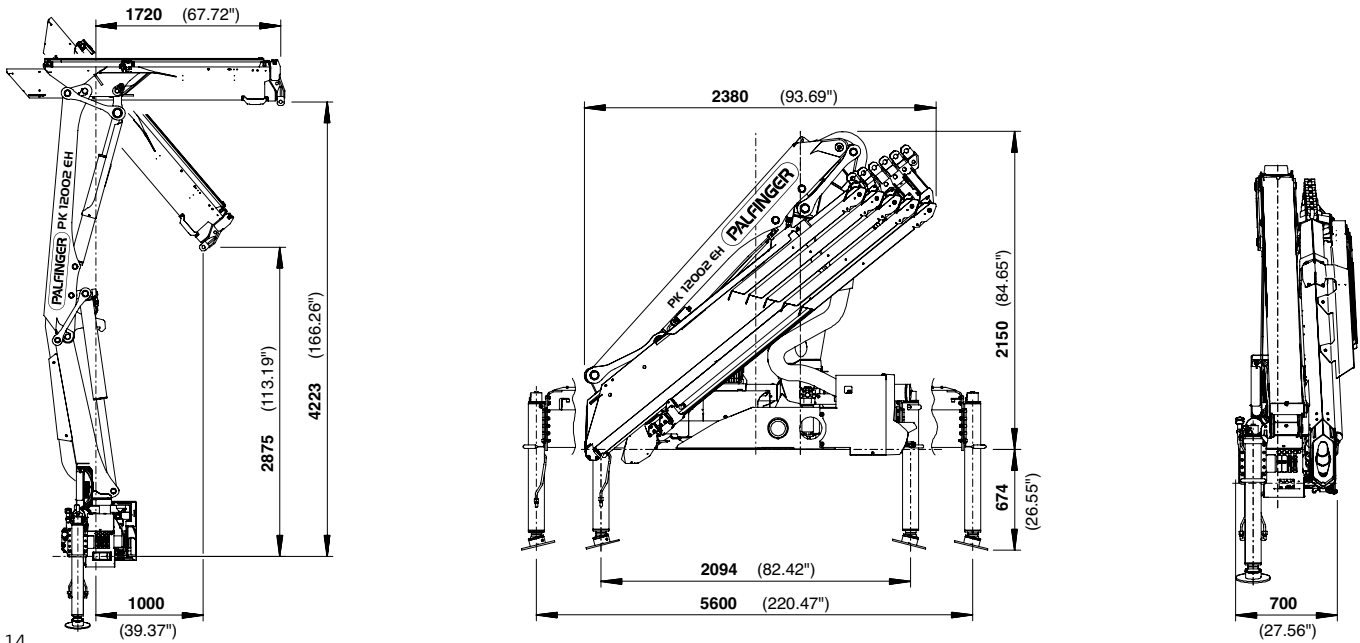
*mechanical extension

PERFECT DIMENSIONS

EXTENSION BOOM VARIATIONS



DIMENSIONS



Technical specifications

EN 12999 HC1 HD4/B3

PK 12002 EH

| | | |
|-------------------------------|------------------------------|--------------------------------------|
| Max. lifting moment | 11.0 mt/107.9 kNm | 79590 ft.lbs |
| Max. lifting capacity | 5700 kg/55.9 kN | 12570 lbs |
| Max. hydraulic outreach | 14.1 m | 46' 3" |
| Max. manual outreach | 16.1 m | 52' 10" |
| Slewing angle | 400° | |
| Slewing torque | 1.3 mt/12.7 kNm | 9400 ft.lbs |
| Stabiliser spread (std./max.) | 3.2 m / 5.6 m | 10' 6" / 18' 4" |
| Fitting space required (std.) | 0.70 m | 2' 4" |
| Width folded | 2.33 m | 7' 8" |
| Max. operating pressure | 350 bar | 5075 psi |
| Recommended pump capacity | from 45 l/min to 60 l/min | 11.9 US gal./min 15.9 US gal./min |
| Dead weight (std.) | 1158 kg | 2550 lbs |

Package Model

- E-HPLS
- Paltronic 50
- Radio remote control with LED display
- Danfoss control valve or PVG2000
- 8.5 kW oil cooler
- 100 l oil tank



KP-H11/12002EM3+EN

Cranes shown in the leaflet are partially optional equipped and do not always correspond to the standard version. Country-specific regulations must be observed. Dimensions may vary. Subject to technical changes, errors and translation mistakes.